

Patents, Designs, and Trade Marks

SUPPLEMENT

TO THE

NEW ZEALAND GAZETTE

OF

THURSDAY, SEPTEMBER 7, 1911.

Published by Authority.

WELLINGTON, THURSDAY, SEPTEMBER 7, 1911.

CONTENTS.

	Page
International and Intercolonial Arrangements for the Mutual Protection of Patents and Trade Marks ..	2751
Notice <i>re</i> Holiday	2752
Applications for Letters Patent filed	2752
Complete Specifications filed after Provisionals ..	2753
Complete Specifications accepted	2753
Provisional Specifications accepted	2755
Letters Patent sealed	2756
Letters Patent on which Fees have been paid ..	2756
Subsequent Proprietors of Letters Patent registered	2756
Applications for Letters Patent abandoned ..	2756
Applications for Letters Patent void	2756
Applications for Letters Patent lapsed	2756
Letters Patent void	2756
Designs registered	2757
Designs expired	2757
Applications for Trade Marks filed	2757
Applications for Registration of Trade Marks ..	2757
Trade Marks registered	2763
Trade Mark Renewal Fees paid	2763
Trade Marks removed from the Register	2763

International and Intercolonial Arrangements for the Mutual Protection of Patents and Trade Marks.

INTERNATIONAL CONVENTION.

THE following countries now belong to the Convention :—

Australia.	Hungary.
Austria.	Italy.
Belgium.	Japan.
Brazil.	Mexico.
Ceylon.	New Zealand.
Cuba.	Norway.
Denmark and Faroe Islands.	Portugal, with the Azores and Madeira.
Dominican Republic.	Servia.
France, with Algeria and colonies.	Spain.
Germany.	Sweden.
Great Britain.	Switzerland.
Holland, with East Indian colonies, Curaçoa, and Surinam.*	Trinidad and Tobago.
	Tunis.
	United States of America.

* Trade marks only.

Separate arrangements have been made between Australia and New Zealand.

Particulars of the Convention and of such arrangements may be seen in the following *Gazettes* :—

Notification of adherence of New Zealand to the Convention, with text thereof (in English), in the *Gazette* of 26th November, 1891; notification of adherence of New Zealand to the Additional Act of the Convention, in Patents Supplement to *Gazette* No. 101, of the 16th November, 1905; Order in Council applying section 103 of the Imperial Act to New Zealand, in *Gazette* No. 27, of the 15th May, 1890; Orders in Council containing arrangements between Australia and New Zealand, in Patent Supplements to the *Gazette* Nos. 22, of the 9th March, 1905, and 38, of the 20th April, 1905.

Government Offices to be closed on Monday, 25th September (Dominion Day).

Office of the Minister of Internal Affairs, Wellington, 29th August, 1911.

THE Government offices throughout New Zealand will be closed on Monday, the 25th September, 1911, in celebration of the fourth anniversary of the day on which the Colony of New Zealand was created a Dominion.

D. BUDDO,
Minister of Internal Affairs.

Applications for Letters Patent filed.

LIST of applications for Letters Patent filed. (Where a complete specification accompanies an application an asterisk is affixed; in all other cases a provisional specification has been lodged. In all cases where the applicant is not the inventor the name of the latter appears in italics in brackets. † Denotes an application under the International and Intercolonial Arrangements.)

O'Hern, D. P., Christchurch, N.Z.	Hand-signal lamp; 30043; 15th August.
Clarke, T. C., Auckland, N.Z.	Chair; 30444; 16th August.
Fredric, J. W. H., Stratford, N.Z.	Spark-arrester; 30045; 18th August.
Butcher, J. H., Stratford, N.Z.	Spark-arrester; 30045; 18th August.
Willeon, P. W., Stratford, N.Z.	Spark-arrester; 30045; 18th August.
Hutchinson, G. W., Walton, N.Z.	Plough-steering, &c.; 30046; 18th August.
Hutchinson, G. W., Walton, N.Z.	Plough-lever; 30047; 18th August.
Tracy, S. J., Waiuku, N.Z.	Hatpin-guard; 30048; 18th August.
Rasmussen, F. W., Pahiataua, N.Z.	Umbrella*; 30049; 18th August.
Waters, E. N., Melbourne, Vic. (<i>Crosfield, J., and Sons, Limited—Markel, K. E., and Normann, W.</i>)	Fatty-acid treatment*; 30050; 16th August.
Griffin, P. J., Wellington, N.Z.	Motor-cycle tank; 30051; 18th August.
Banon, E. J., Auckland, N.Z.	Hatpin-point holder; 30052; 17th August.
Butt, A., Dunedin, N.Z.	Pasteurizer, &c.; 30053; 17th August.
Maddren, J., Christchurch, N.Z.	Flax-dryer; 30054; 18th August.
Maddren, R., Christchurch, N.Z.	Flax-dryer; 30054; 18th August.
Maddren, C., Christchurch, N.Z.	Flax-dryer; 30054; 18th August.
Maddren, S. H., Christchurch, N.Z.	Flax-dryer; 30054; 18th August.
Ridick, R. J., Auckland, N.Z.	Waterproof building*; 30055; 17th August.
White, J. B. F., Wanganui, N.Z.	Cooking-bowl holder*; 30056; 17th August.
McLuckie, I. L., Te Kuiti, N.Z.	Pneumatic tire; 30057; 17th August.
Banks, J. H. G., Waihi, N.Z.	Cigarette-paper; 30058; 19th August.
Stewart, J., Invercargill, N.Z.	Oil-drum, &c., lid; 30059; 17th August.
Rutherford, R. S., Ohiro, N.Z.	Vacuum cleaner; 30060; 18th August.
Coutts, J., Dunedin, N.Z.	Hose-coupling*; 30061; 18th August.
Hayes, E., Otarehua, N.Z.	Wire-strainer; 30062; 21st August.
Smith, J. C., New Plymouth, N.Z.	Metal-extraction; 30063; 21st August.
Tweeddale, W., New Plymouth, N.Z.	Metal-extraction; 30063; 21st August.
Bransgrove, T., New Plymouth, N.Z.	Metal-extraction; 30063; 21st August.
Morris, H. A., Masterton, N.Z.	B-ily-set; 30064; 21st August.
Jermyn, W., Shannon, N.Z.	Milk-can-lid securing; 30065; 21st August.
Speight, B., Taumarunui, N.Z.	Brake; 30066; 22nd August.
Killen, E. B., London, Eng.	Vehicle-spring stud*; 30067; 22nd August.
Hoare, H., Gisborne, N.Z.	Oil-fuel utilizing; 30068; 22nd August.
Evans, J. T., Gisborne, N.Z.	Oil-fuel utilizing; 30068; 22nd August.
Bayley, C. S., Auckland, N.Z.	Extension crank; 30069; 21st August.
Schlaadt, H., Dunedin, N.Z.	Casement-bar*; 30070; 21st August.
Bull, R., Ballarat, Vic.	Duster*; 30071; 28th October, 1910.†
Puttfarcken, J. A., Sydney, N.S.W. (<i>Lewis, W. W.</i>)	Acetylene-generator; 30072; 23rd August.
Jorgensen, A. G., Wellington, N.Z.	Hatpin-point protector; 30073; 23rd August.
Robertson, M., Fitzroy, Vic.	Coated confectionery*; 30074; 23rd August.
Peat Coal Investment Company, Limited, London, Eng. (<i>Rigby, T.</i>)	Briquette*; 30075; 22nd August.
Peat Coal Investment Company, Limited, London, Eng. (<i>Testrup, N.</i>)	Band-press*; 30076; 22nd August.
Daniels, H. J., Albert Park, Vic.	Potato-harvesting*; 30077; 12th September, 1910.†
Claude, G. E., Palmerston North, N.Z.	Fencing standard, &c.; 30078; 24th August.
Marshdale, G. P., Hamilton, N.Z.	Medicinal syringe; 30079; 22nd August.
Dallev, M., Auckland, N.Z.	Snirt; 30080; 22nd August.
Henderson, W. E., Dunedin, N.Z.	Cooking-basket; 30081; 22nd August.
Reid, A. S., St. Kilda, Vic.	Milking-apparatus*; 30082; 22nd August.
Fry, H. A., Umukuri, N.Z.	Acetylene-generator*; 30083; 24th August.
Gassling, P. J., Wellington, N.Z.	Document file; 30084; 24th August.
Taylor, J., Nelson, N.Z.	Airship; 30085; 25th August.
Gillies, D. M., Wellington, N.Z.	Packing-ring; 30086; 25th August.
Morgan, R. C., Dunedin, N.Z.	Pencil-sharpener*; 30087; 24th August.
Bennet, W., Dunedin, N.Z.	Pencil-sharpener*; 30087; 24th August.
Thomson, G. S., Dunedin, N.Z.	Ledger-locking device*; 30088; 23rd August.
Smith, C. B., Dunedin, N.Z.	Counter-sales book*; 30089; 23rd August.
Hamon, W. J., Gisborne, N.Z.	Water-soundings, making, &c.; 30090; 22nd August.
Hayes, E., Otarehua, N.Z.	Gate-hinge; 30091; 25th August.
Wanklyn, W. H. E., Christchurch, N.Z.	Memo-form and envelope; 30092; 24th August.
Suckling, J. H., Christchurch, N.Z.	Motor-car hood; 30093; 24th August.
Gowdy, E. W., Tangiwhai, N.Z.	Fencing-dropper; 30094; 25th August.
Blathwayt, M. W. P., Winton, N.Z.	Medicine; 30095; 25th August.
Robertson, D. M., Christchurch, N.Z.	Horse-race-starting barrier; 30096; 26th August.
Robertson, D. M., Christchurch, N.Z.	Totalizator; 30097; 26th August.
Jones, J. R., Gisborne, N.Z.	Wool-washer; 30098; 26th August.
Smith, S. G., Oxford, N.Z.	Acetylene-generator; 30099; 26th August.
Suckling, J. H., Christchurch, N.Z.	Carburetter; 30100; 26th August.
Edlin, T. W., Christchurch, N.Z.	Non-refillable bottle; 30101; 25th August.
Robinson, P., Foxton, N.Z.	Fibre-tail clipper; 30102; 28th August.
Wanklyn, E., Foxton, N.Z.	Fibre-tail clipper; 30102; 28th August.
Pallett, H. J., Dunedin, N.Z.	Skiving-machine knife*; 30103; 24th August.
Munro, C. S., Kurow, N.Z.	Hot-water bag*; 30104; 24th August.
Downing, H. W., Christchurch, N.Z.	Polo, &c., club; 30105; 28th August.
Kirkwood, J. C. P., Wellington, N.Z.	Gas-heated apparatus, &c.; 30106; 28th August.
Glanville, L., Southbridge, N.Z.	Oil-feeder; 30107; 28th August.
Whitfield, H. E., Christchurch, N.Z.	Electric-car-controller handle; 30108; 26th August.
Toomer, A. F., Christchurch, N.Z.	Boot*; 30109; 26th August.
Wolsley Sheep Shearing Machine Company, Limited, Birmingham, Eng. (<i>Burke, J., and Walton, J. T.</i>)	Sheep-shearing, &c., machine*; 30110; 7th October, 1910.†

Collett, J., Masterton, N.Z.	Cultivator; 30111; 29th August.
Player, C. E., Auckland, N.Z.	Door-catch; 30112; 28th August.
Stace, E., Christchurch, N.Z.	Motor-cycle, &c., driving-belt; 30113; 30th August.
Brennan, R., Christchurch, N.Z.	Grater; 30114; 29th August.
De Baugh, W. E. H., Auckland, N.Z.	Scaffold-bracket*; 30115; 30th August.
Noakes, W. C., Christchurch, N.Z.	Coal, &c., unloading*; 30116; 30th August.
Fellows, G. R., Onehunga, N.Z.	Gold-obtaining from ironsand; 30117; 30th August.
Sharp, J., jun., Nelson, N.Z.	Pen-nib reservoir*; 30118; 30th August.
Peterson, F. L., Wellington, N.Z.	Pen-nib reservoir*; 30118; 30th August.
Fulljames, S. V., Whangarei, N.Z.	Milk, &c., strainer; 30119; 23rd August.
Cotterell, J. S., Manawaru, N.Z.	Beehive; 30120; 29th August.
Smith, J. J., New York, U.S.A.	Stone-cutting saw*; 30121; 6th September, 1910.†
Cameron, E., St. Kilda, Vic.	Milking-machine*; 30122; 31st August.
Turnbull, H. A., Surrey Hills, Vic.	Steam-generator; 30123; 31st August.
Davis, G. F. F., Camberwell, Vic.	Steam-generator; 30123; 31st August.
Turnbull, A. J. B., Surrey Hills, Vic.	Steam generator; 30123; 31st August.
Bronner, A. F., Melbourne, Vic.	Variable speed-gear*; 30124; 31st August.
Quick, A. A., Northcote, Vic.	Variable speed-gear*; 30124; 31st August.
Grace, T., Sydney, N.S.W.	Vehicle-wheel*; 30125; 31st August.
O'Reilly, J., jun., Sydney, N.S.W.	Vehicle-wheel*; 30125; 31st August.
Schultz, E., Melbourne, Vic. (Capp, A. J.)	Milking-machine*; 30126; 31st August.
Hart, W., Brisbane, Queens.	Charcoal-burner*; 30127; 14th March.†
D-schamps, J. M., Brisbane, Queens.	Charcoal-burner*; 30127; 14th March.†
Harris, P. L., Sydney, N.S.W.	Sap tablet; 30128; 31st August.
Reid, A. W., Stratford, N.Z.	Milking-machine release; 30129; 31st August.
Way, L. A., Nelson, N.Z.	Harness-fastening; 30130; 31st August.

Complete Specifications filed after Provisionals.

LIST of complete specifications filed after provisional specifications from the 18th to the 31st August, 1911, inclusive:—

- No. 28745.—R. B. Wight, sausage, &c., machine.
- No. 28769.—C. Tandy, game apparatus.
- No. 28793.—J. Arnaboldi, boot-heel, &c.
- No. 28794.—H. M. Douglas, loose-leaf book.
- No. 28798.—A. L. J. Tait, clothes-peg.
- No. 28799.—A. L. J. Tait, rotary engine.
- No. 28800.—G. F. Birks, can closure. (E. N. Birks.)
- No. 28810.—J. House, timber-seasoning.
- No. 28845.—United Shoe Machinery Company, welt-shoe manufacture. (W. J. Drey.)
- No. 28846.—United Shoe Machinery Company, boot and shoe machine. (W. J. Drey.)
- No. 28854.—W. W. Martin, prevention of obstructive deposits in hydraulic mains. (J. T. Catling.)
- No. 28860.—A. Lyell, non-refillable bottle.
- No. 28880.—G. W. Fothergill and W. H. Rogers, saw-guard.
- No. 29308.—A. J. Forbes, spraying apparatus.
- No. 29396.—A. White, egg-tester, &c.
- No. 29954.—H. Neville and H. N. Maddox, hatpin.

Notice of Acceptance of Complete Specifications.

Patent Office,
Wellington, 6th September, 1911.

COMPLETE specifications relating to the undermentioned applications for Letters Patent have been accepted, and are open to public inspection at this office. Any person may, at any time within two months from the date of this *Gazette*, give me notice in writing of opposition to the grant of any such patent. Such notice must set forth the particular grounds of objection, and be in duplicate. A fee of 10s. is payable thereon.

The copies of claims and extracts from the specifications and drawings are merely intended to give some further indication of the invention than is disclosed in the title, and the complete specifications and drawings should be referred to for a description of the invention.

No. 28387.—6th September, 1910.—PETER MARTIN, Jun., Joiner, and FRANK HUMPHRIES, Joiner, both of Granity, New Zealand. Improved means for lubricating the axles and bearings of coal-skips and the like.*

Claim.—(1.) Means for the purpose described, consisting of an arm pivoted to the rail adapted to be engaged and depressed by the flange of a wheel on the rail, a lever connected with such arm and adapted to be lifted by the depression of the arm, a brush upon the free end of such lever, and a lubricant-well into which the brush dips when the lever is lowered, substantially as specified. (Specification, 3s. 3d.)

[NOTE.—Here follows one other claim.]

No. 28443.—16th September, 1910.—EMILY ALEXANDER ALLAN, of Auckland, New Zealand, Married Woman. A basket-supporting attachment to horse-saddles.*

Claim.—(1.) An attachment to saddles for supporting baskets or the like consisting of a horizontal bracket having legs for supporting the bracket upon the saddle, substantially as specified. (Specification, 2s. 6d.)

[NOTE.—Here follows one other claim.]

No. 28500.—28th September, 1910.—ALPHONSE OCTAVE GOULET, of 125 Victoria Street, Auckland, New Zealand. Improved peanut-roaster.*

Claims.—(1.) In peanut-roasters of the class described, a drum made of gauze or perforated material mounted within the roasting-chamber, means for feeding peanuts to the drum and for discharging them therefrom and heating burner situated within the chamber upon one side of the perforated drum, substantially as specified. (2.) The improved peanut-roaster constructed, arranged, and operating substantially as described and explained, and as illustrated in the drawings. (Specification, 3s. 3d.)

No. 28546.—5th October, 1910.—PETER ARON NIKOLAISON, of Whetukura, New Zealand, Farmer. A double-furrow reversible disc plough.*

Claim.—(1.) In a double-furrow disc plough, the combination of a toothed quadrant attached to the pulling-bar or beam with a sliding rack-bar, the teeth of which engage with such quadrant and also with tooth quadrants attached to disc centres whereby such discs may be reversed together by turning the pulling-bar or beam to a reverse position so that the pulling-bar or beam and both discs are in a proper position for reverse ploughing without having to turn the plough-body. (Specification, 3s. 9d.)

[NOTE.—Here follow four other claims.]

No. 28577.—13th October, 1910.—ROBERT GERALD RALPH, of Huntly, New Zealand, Engineer. An improved construction of rat-trap.*

Extract from Specification.—According hereto, a trap is made of two pieces of wire, steel wire being used for a main frame and spring arm, and iron or brass wire for a trigger. As constructed for catching rabbits, the main frame has a pointed end whereby the trap is held upright at the mouth of a burrow by sticking the said end into the ground. The other end of the frame is curled into a bow, from which arises the spring arm, the end of which is vertical and has a shoulder or projection adapted to engage the main frame. The trigger is pivoted to the main frame by twisting the wire of which it is composed around the top of the frame and in such a manner that a cross-bar is formed above and below the frame. A tail of the trigger projects into the loop formed by the frame and spring arm in their set position. A slight push of the tail in either direction releases the spring arm from a notch in the frame, and the animal is caught between the said frame and arm. (Specification, 7s.)

[NOTE.—The above extract from the specification is inserted in place of the claims.]

No. 28594.—14th October, 1910.—ARCHIBALD THORPE CROSHER, of Te Aroha, Auckland, New Zealand, Engineer. An improved method of connecting electric wires to lamp-holders and the like.*

Extract from Specification.—A block of insulating material has a central hole, or two holes located near the centre, through which the wires are passed. Each wire is then independently carried upwards in a recess formed for its reception in the block, and is then turned over and downwards through a return hole to the terminal of the lamp-

holder, within which it is fixed by the usual binding-screw. The block is carried within a dome secured to the lamp-socket by a ring nut in the usual way. The block can be made of the same diameter as the usual porcelain terminal holder.

(Specification, 3s. 9d.)

[NOTE.—The above extract from the specification is inserted in place of the claims.]

No. 28603.—18th October, 1910.—GEORGE CARRINGTON, of Maraekakaho, New Zealand, Cook. Improvements in the means for straining the wires of gates.*

Claim.—(1.) Means for the purpose described, comprising a pin adapted to pass in through the side member of the gate-frame, a squared head formed on such pin, a circular plate adapted to be locked upon the head or made integrally therewith, a ring of holes formed in the plate, and holes in the inner end of the pin adapted to receive the respective fencing-wires, substantially as specified.

(Specification, 4s.)

[NOTE.—Here follows one other claim.]

No. 28605.—19th October, 1910.—JOSEPH HOPKIRK, of Nelson Street, Hawera, New Zealand, Engineer. Improvements in driving-gear of curd- or milk-agitating apparatus and the like.*

Extract from Specification.—The gear designed consists in the employment of a number of bevel-pinion wheels loosely mounted on a shaft, and of a single disc wheel formed with a number of concentric rings of bevel-teeth, equalling the number of bevel-pinions, and with which rings the respective bevel-pinions are arranged to gear. This disc wheel is mounted securely upon a shaft so as to rotate therewith.

(Specification, 5s. 6d.)

[NOTE.—The above extract from the specification is inserted in place of the claims.]

No. 28697.—8th November, 1910.—JULES LECOCHÉ, of 39 Victoria Street, Westminster, London S.W., England, Consulting Engineer. Improvements in direct-current electric motors.

Claim.—(1.) A continuous-current motor-armature having a helically grooved iron core, the unwound armature presenting a screw-like appearance.

(Specification, 3s. 9d.)

[NOTE.—Here follow six other claims.]

No. 28732.—12th November, 1910.—ANDREW MURIE GRAINGER, of Post-office, Ashburton, New Zealand, Labourer. Boot frame or protector.*

Extract from Specification.—Wire frame all round the boot or half-way round.

(Specification, 1s. 6d.)

[NOTE.—The above extract from the specification is inserted in place of the claims.]

No. 28813.—1st December, 1910.—WILLIAM NELSON, of Tomoana, Hawke's Bay, New Zealand, Engineer. Improved scrubber or tar-extractor for gas-producing plants.*

Extract from Specification.—According to my invention, the gas is passed into a cylinder which contains a finely divided metal or reticular material, such as fine wire netting, loosely wound up in a coil or in superimposed coils, filling up the whole of the space in the cylinder and resting on a grid at the bottom thereof. Below the grid is a space in which tar can accumulate and be withdrawn through a valve provided for the purpose. The gas may be led off from the upper part of the cylinder to another similar cylinder furnished in the same way. A steam-gauge and safety-valve are employed, and an air-pipe furnished with a tap. The essential feature of my invention is the cleansing of the scrubber, and this is effected by the admission of steam to the lower part of the cylinder near the gas-inlet. Steam is passed through the wire netting, and the whole operation of cleansing is effected in a very short time.

(Specification, 3s. 9d.)

[NOTE.—The above extract from the specification is inserted in place of the claims.]

No. 29502.—2nd May, 1911.—THOMAS RICHARDSON, of Alexandra, New Zealand, Engineer and Blacksmith. Improved skein-winder.

Claim.—In winding and holding hanks or skeins for winding up same, an adjustable holder capable of revolving in a hollow boss or socket in combination with a reel-holder for winding up, both these devices being capable of being clipped to a desired place, all substantially as shown on the drawing, and as described and as explained.

(Specification, 1s. 6d.)

No. 29524.—10th May, 1911.—GESELLSCHAFT FÜR DRAHTLOSE TELEGRAPHIE m.b.H., of Berlin, Tempelhofer, Ufer 9, Germany (assignee of Graf von Arco, Engineer, of the same address and company). Arrangement for producing electrical oscillations by direct current.

Claim.—(1.) An arrangement for producing electric oscillation by uninterrupted direct current in which a transformer is used for increasing the potential, the leakage of which transformer is smaller than that of an ordinary induction coil (for instance, a transformer with a closed magnetic circuit without choking-coil inserted in series), whilst simultaneously

there is employed a primary oscillation circuit with a rapidly quenched spark gap (for instance, a Wien spark gap or a Rendahl mercury vapour lamp), substantially as described.

(Specification, 6s. 6d.)

[NOTE.—Here follow six other claims.]

No. 29525.—10th May, 1911.—GESELLSCHAFT FÜR DRAHTLOSE TELEGRAPHIE m.b.H., of Berlin, Tempelhofer, Ufer 9, Germany (assignees of Dr. Leonid Mandelstam and Dr. Nicolaus Papalex). Improvements in or connected with the production of electric oscillations.

Claim.—(1.) An arrangement for producing slightly damped electric oscillations, in which two oscillation circuits connected with a spark gap common to both are excited at different oscillation periods, the proportions of capacity to self-induction in both oscillation circuits being made equal or approximately equal, in such a way that the spark is quenched by fluctuations in the oscillations formed in the two circuits, and then the energy set in motion further oscillates in a single closed circuit without a spark gap, substantially as described.

(Specification, 4s. 6d.)

[NOTE.—Here follows one other claim.]

No. 29618.—25th May, 1911.—MATTHEW ARLOW, of Christchurch, New Zealand, Merchant. Improved apparatus for use in washing clothes.

Claim.—(1.) In a device of the character indicated, the combination of a boiler adapted to receive the clothes and having a lining around its inner side so as to provide an annular space between such inner side and the lining for the upward passage of water, means of admitting water at the lower portion of said annular space, and means for discharging water from the upper portion of said annular space upon the clothes, substantially as and for the purpose set forth.

(Specification, 5s. 6d.)

[NOTE.—Here follow four other claims.]

No. 29817.—3rd July, 1911.—SAUL SIMONS, of Auckland, New Zealand, Manufacturer. Improved means of securing covering-panels, knobs, and other ornamentation to billiard-tables and other furniture.

Claim.—Improved means of securing covering-panels, knobs, and other form of ornamentation to billiard-tables and other furniture, consisting of a spring fastener secured to the inner face of said panels, knobs, and ornamentation and adapted to engage in a recess or hole formed in the billiard-table or article of furniture, in the manner and for the purpose set forth, as described and illustrated.

(Specification, 2s. 6d.)

No. 29818.—5th July, 1911.—GEORGE JOSHUA BERTINSHAW, of South Terrace, Kelburne, Concrete Specialist; THOMAS WILSON, CHARLES MCARTHUR, and JOHN HUTCHESON, of 94 Jervis Quay, all of Wellington, New Zealand, Ship-chandler, Master Mariner, and Shipchandler, respectively. Improvements in post-office pillar-boxes.

Claim.—(1.) A concrete pillar letter-box having its upper part made of concrete, cast around a liner of sheet steel, the said upper part being integral with legs or standards and a base forming the lower part of the pillar, substantially as set forth.

(Specification, 2s. 3d.)

[NOTE.—Here follow four other claims.]

No. 29835.—7th July, 1911.—WILLIAM HOWARD HARRISON, of Otomoa, near Wanganui, New Zealand, Farmer. A noxious-weed destroyer.

Claim.—The mixture specified, made by combining and mixing the ingredients stated in the proportions of two parts of caustic soda, one part of hypo, and four parts of common salt, for the purpose set forth as described.

(Specification, 1s.)

No. 29843.—11th July, 1911.—JOSEPH ALBERT HILL, of Ordnance Works, Bernard Road, Sheffield, England, Engineer. Improvements in and relating to the furnaces, furnace fire-bars, and furnace fire-bridges of steam-boiler furnaces and like furnaces.

Claim.—(1.) A furnace having a floor of transverse fire-bars, and a fire-bridge constructed with similar transversely arranged fire-bars, provided with air-apertures through its face and carried upon a metal framework which forms one or more air-chambers (communicating with the said apertures), and with a lower air-chamber into which air is forced through an air-conduit by one or more steam-jets or equivalent means, as described, and substantially as shown.

(Specification, 4s.)

[NOTE.—Here follow two other claims.]

No. 29845.—11th July, 1911.—JONAS ALBERT JOHNSEN, of No. 20 Læssoesgade, Copenhagen, Denmark, Electrical Engineer. Process and apparatus for producing and utilizing micro-movements.

Claim.—(1.) A process for producing and utilizing acoustic and the like micro-movements of a weak-current conductor in a magnetic field, characterized by the fact that a field intensity is employed which is such that its action on the said conductor renders the movements thereof capable of practical utilization.

(Specification, 14s. 6d.)

[NOTE.—Here follow four other claims.]

No. 29846.—11th July, 1911.—JOHN THOMAS, of Ferndale, Priory Road, Kenilworth, Warwickshire, England, Engineer, Improvements in smoke-consuming and fuel-economizing apparatus for furnaces and the like.

Claim.—(1.) In smoke-consuming and fuel-economizing apparatus for furnaces and the like of the kind aforesaid, a cylinder adapted to be charged with liquid, a cup leather piston mounted within and engaging the walls of the cylinder and adapted to be moved freely in one direction without the use of clack-valves, a passage connecting the ends of the cylinder, means for controlling the passage, and a spring tending to move the piston in the other direction, substantially as described. (Specification, 13s. 3d.)

[NOTE.—Here follow eight other claims.]

No. 29847.—19th September, 1910.†—FRANCIS JOHN BOUCHEE, of "Mona," 20 Bay View Avenue, Auburn, near Melbourne, Victoria, Australia, Railway Employee. Flash-light mechanism.

Extract from Specification.—The invention consists essentially of clockwork mechanism which operates a shutter in front of suitable illuminating-means. Said shutter is mounted so as to combine in its action the principle of the pendulum with that of the balance-wheel. (Specification, 10s. 6d.)

[NOTE.—The above extract from the specification is inserted in place of the claims.]

No. 29855.—15th July, 1910.†—ALBERT JAMES BEERS, of 312 Victoria Street, East Brunswick, Victoria, Australia, Iron-moulder. Improvements in means for and mode of moulding.

Claims.—(1.) In moulding-means, two movable sections bearing when assembled a pattern for one (or in turn each) half of a toothed roller or other suitable member, each section being movable in turn from the moulding sand or material. (2.) In combination, a frame, a mould-box on it, and in the frame movable core-prints having a pattern, substantially as described with reference to Figs. 3 and 5. (3.) In combination with core-prints or pattern-supports, means for lowering them as described, consisting of movable end-plates, with or without a slot or slots, and members engaging the same. (Specification, 10s.)

[NOTE.—Here follow five other claims.]

No. 29856.—26th August, 1910.†—THEODORE FITZROY FITZSIMONS, lately of 256 Ocean Street, Edgecliffe, near Sydney, but now of 46 Campbell Street, North Sydney, New South Wales, Australia, Engineer. Venting and discharging valve for vessels containing liquids.

Extract from Specification.—The said device consists of a plug valve with air by-pass, fitted in a valve-casing which terminates at one end in a delivering-nozzle, and at the other in a washered neck adapted to set into a hole in the can-head, and a venting-pipe in communication with the air by-pass port; this valve is carried by trunnion-pins on a forked bracket which springs from a collar slidable on a rod; the lower end of the rod is fitted with a piercing-tool and with claws which are engageable with the rim on the can-bottom, and the upper end of it is fitted with a clamping-nut which acts against the slidable collar to force the valve-foot firmly down on to the can-head. (Specification, 5s.)

[NOTE.—The above extract from the specification is inserted in place of the claims.]

No. 29861.—11th July, 1911.—HENRY PHILLIP WILLIEN, of St. Andrew Street, Dunedin, New Zealand, Slater. An improved apparatus for making petrol-gas.

Extract from Specification.—The object of this invention is to set forth improved means of making petrol-gas or gas made of such like substances mixed intimately with air. For this purpose I pump air by special pumps into a revolving drum rotating within a casing, the periphery of said drum being formed of several layers of perforated fine gauze kept at a distance from each other. Arrangement is made to allow the air to blow off into the atmosphere if the pumps work too fast or if there is a stoppage of the supply of gas from its being turned off, &c. (Specification, 3s. 3d.)

[NOTE.—The above extract from the specification is inserted in place of the claims.]

No. 29868.—14th July, 1911.—TRUMBLE REFINING COMPANY, a corporation organized and existing under the laws of the State of Arizona, United States of America, and carrying on business at Kingman, State of Arizona aforesaid (assignees of Milton James Trumble, of 1918 Santee Street, Los Angeles, State of California, United States of America, Chemist). Process and apparatus for the evaporation of liquid.

Claims.—(3.) The process of evaporating liquid which consists in distributing the liquid in a thin film over a substantially vertical wall of a chamber, applying heat to said wall to evaporate a part or all of said liquid, and removing the vapour from the chamber as rapidly as it is formed. . . . (5.) In a liquid-evaporator, a closed chamber having a substantially vertical wall, means arranged to spread a liquid over the wall of such chamber, means for delivering a liquid into the chamber above the liquid-spreading means, a vapour take-off arranged within the

chamber, a lateral branch connecting with such vapour take-off to convey the vapours to the exterior of the chamber, and means for heating the wall of the chamber.

(Specification, 13s.)

[NOTE.—Here follow twelve other claims.]

No. 29869.—14th July, 1911.—CURRENT MOTOR COMPANY, of 501 California Building, Tacoma, Washington, United States of America (assignees of Charles A. Barron, of Oshkosh, Wisconsin, United States of America, Broker). A current-motor.

Claim.—(1.) A current-motor comprising a main frame, a mounting for said frame permitting it to reciprocate across the current, a reversing frame mounted to reciprocate with the main frame, said frames each containing vertical blades pivoted therein and adapted to assume reverse angular positions relative to the direction of current-flow, said blades in the main frame having their greater area rearwardly of their pivots, and those in the reversing frame having their greater area forwardly of their pivots, and means connecting the reversing frame with the blades of the main frame to thereby control the angular position of the latter. (Specification, 17s. 6d.)

[NOTE.—Here follow eight other claims.]

No. 29882.—24th February, 1911.†—TIMOTHY BERNARD POWERS and EUREKA CLOCK COMPANY, LIMITED, Manufacturers, both of 361 City Road, London, England. Improvements in and relating to self-winding clocks.

Claim.—(1.) In a self-winding clock of the type specified, means for closing and opening the motor-circuit actuated by the expansion of the coils of the main spring. (Specification, 10s.)

[NOTE.—Here follow seven other claims.]

No. 29884.—18th July, 1911.—MOSE WILBUSCHEWITSCH, of Nischinogorod, Kanavino, Russia, Factory Director. Process and apparatus for converting fatty acids, fats, oils, fish-oils, and waxes into like bodies of higher melting-point.

Extract from Specification.—The present invention relates to a process of cheaply and simply converting fats, oils, fish-oils, and the like into fats of higher melting-point—that is to say, a process for obtaining fats and oils of comparatively high value from the cheaper kinds—and consists in mixing the fat or oil with the catalyst very intimately, and directing against this mixture in a very finely subdivided state, in an autoclave under pressure, hydrogen or a gas containing hydrogen. Since in this manner a remarkably intimate contact of the hydrogen with the finely subdivided intimate mixture of fat and catalyst is attained a comparatively low temperature suffices for the conversion of the fat. The process proceeds in a closed cycle of operations, as the catalyst and the hydrogen which is not consumed are continuously returned to the process. (Specification, 17s. 6d.)

[NOTE.—The above extract from the specification is inserted in place of the claims.]

Erratum.

Under the heading "Notice of Acceptance of Complete Specifications" in *Gazette* No. 53, of 29th June, 1911, alter the date of No. 29709 from "5th June" to "12th June."

Copies of drawings may be obtained at the uniform price of 1s. each. In exceptional cases this price may be increased at the discretion of the Office.

An asterisk (*) denotes the complete specification of an invention for which a provisional specification has been already lodged. A dagger (†) denotes a prior date under the International and Intercolonial Arrangements.

NOTE.—The cost of copying the specification has been inserted after the notice of each application. An order for a copy or copies should be accompanied by a post-office order or postal note for the cost of copying.

The date of acceptance of each application is given after the number.

Extracts from the drawings accompanying the foregoing complete specifications appear at the end of this *Gazette*.

J. C. LEWIS,
Registrar.

Provisional Specifications accepted.

Patent Office,
Wellington, 31st August, 1911.

APPLICATIONS for Letters Patent, with provisional specifications, have been accepted as under:—

- No. 28500.—A. O. Goulet, peanut-roaster.
- No. 29212.—G. E. Collins, easy-chair adjustment.
- No. 29602.—H. F. Sherwood-King, cloth-fastener.
- No. 29783.—J. D. Hunter, curd-breaker, &c.
- No. 29819.—E. P. Wainwright, oil-economizer in manufacture of woollen goods.
- No. 29859.—T. S. Gurr and R. J. Hobbs, lifebelt, &c.
- No. 29871.—N. Sorenson and E. Goldsworthy, barrow-wheel.
- No. 29873.—J. T. Hopkins, stop-cock.

- No. 29878.—J. S. Wearn, tramcar-destination board.
 No. 29889.—W. H. Lambert, clothes-peg.
 No. 29894.—T. J. McFarlane and F. Johnson, chine-saw.
 No. 29897.—C. Burrige and J. F. Jones, water-tank filter.
 No. 29899.—T. Corlett, cooking-range plate-rack.
 No. 29929.—P. P., P., and T. McDermott, plough share and point.
 No. 29935.—D. H. Lea, knife.
 No. 29938.—F. Sewell, projectile firing.
 No. 29973.—H. C. Dix, gate. (R. Callahan.)
 No. 29978.—F. S. Marchant, crank-pin turning, &c.
 No. 29988.—E. Larcomb, tire-cover.

[NOTE.—Provisional specifications cannot be inspected, or their contents made known by this office in any way, until the complete specifications in connection therewith have been accepted.]

Letters Patent sealed.

LIST of Letters Patent sealed from the 17th to the 30th August, 1911, inclusive:—
 Nil.

Letters Patent on which Fees have been paid.

[NOTE.—The dates are those of the payments.]

SECOND-TERM FEES.

- N**O. 22923.—Massey-Harris Company, Limited, harvester binder conveyor. (C. McLeod and R. H. Verity.) 29th August.
 No. 23356.—C. M. Stewart, dress-cutting chart. (E. Langer.) 23rd August.
 No. 23371.—R. L. H. Murray and L. S. Murray, acetylene-gas holder. 19th August.
 No. 23390.—C. Suttie and M. H. Wynyard, flax-catcher. 24th August.
 No. 23391.—C. Suttie and M. H. Wynyard, flax-treatment. 24th August.
 No. 23398.—B. F. Cranwell, seed, &c., broadcaster. 28th August.
 No. 23416.—J. L. Ohlson, sewing-machine. 30th August.
 No. 23525.—Rogotire Non-puncture Pneumatic Tire Company, Limited, puncture-composition. (L. H. Rogers and A. Myers.) 24th August.
 No. 23542.—W. H. Lawrence and R. Kennedy, milking-machine. (H. Feldmeier.) 31st August.
 No. 23543.—W. H. Lawrence and R. Kennedy, milking-machine. (L. Burrell.) 31st August.
 No. 23656.—F. N. Jones, poncho. 30th August.
 No. 24964.—The Gramophone Company, Limited, sound-record. (J. W. Owen.) 23rd August.

THIRD-TERM FEES.

- No. 18380.—L. N. Nattrass and M. A. Nattrass, churn. (W. W. Pilkington and L. N. Nattrass.) 29th August.
 No. 18382.—The Dawson Patent Egg Carrier Company, Limited, egg-carrier. (J. G. Dawson.) 26th August.

Subsequent Proprietors of Letters Patent registered.

[NOTE.—The name of the former proprietor is given in brackets; the date is that of registration.]

- N**OS. 19761, 19767, 19768, and 19829.—Schmidt's Superheating Company (1910), Limited, of 28 Victoria Street, Westminster, London S.W., England. (1) Packing-check-ring device for piston slide-valve; (2), (3), (4), boiler-superheater. (W. Schmidt.) 19th August, 1911.
 No. 26975.—George Jacob Sayer and Isidore Heller, trading as Wolf, Sayer, and Heller, of 70 Spalding Strasse, Hamburg, Germany, Manufacturers. Machine for treating intestines of animals. (J. T. Hunter—Wolf, Sayer, and Heller—E. Bianchi.) 29th August, 1911.
 No. 27273.—Percy Moore Wood, of Ashfield, New South Wales, Australia, Medical Practitioner. Wardrobe. (R. and F. E. May and A. W. Railson.) 16th August, 1911.
 No. 27438.—Schmidt's Superheating Company (1910), Limited, of 28 Victoria Street, Westminster, London S.W., England. Superheater. (W. Schmidt and P. Thomsen.) 19th August, 1911.
 No. 28931.—The Hodsdon Patent Totaliser and Enumerating Machines Company, Limited, of 377 Queen Street, Brisbane, Queensland, Australia. Enumerating-machine. (H. Hodsdon.) 28th August, 1911.

Applications for Letters Patent abandoned.

- L**IST of applications, with which provisional specifications only have been filed, abandoned (i.e., complete specifications not lodged) from the 18th to the 31st August, 1911, inclusive:—
 No. 28592.—W. Henning, aeroplane.
 No. 28596.—O. Christophersen, jun., liquid-measure.
 No. 28602.—W. J. Milligan and A. Swindale, window-sash support.

- No. 28604.—R. Taylor, moulding conduits.
 No. 28611.—A. E. Macindoe, tap.
 No. 28616.—J. P. Fix, A. E. Vear, and W. D. Philpott, electric-lamp lock.
 No. 28620.—O. A. Bourbean, combined envelope and letter-paper.
 No. 28621.—A. Bilsland, lubricator-feeder.
 No. 28623.—W. G. Gibbs, horse-controller.
 No. 28624.—P. O. Spry, fire-alarm contact-breaker.
 No. 28629.—J. W. Rooney, rotary engine.
 No. 28633.—J. C. P. Kirkwood, electrical cooker.
 No. 28635.—H. Metcalfe, scaffold-bracket.
 No. 28636.—E. C. Reynolds, bathroom-occupation indicator.
 No. 28637.—A. J. Park, cooking-utensil.
 No. 28638.—L. W. Alexander, blotting paper holder.
 No. 28639.—L. Pickering, hauling-rope grip.
 No. 28642.—E. Varley, fly-catcher.
 No. 28645.—D. Reid, jun., aviation-machine propulsion.
 No. 28648.—J. Bruce, hydraulic-nozzle elevator.
 No. 28649.—T. H. Dixon, tug-buckle, &c.
 No. 28651.—J. Y. M. Comrie, seed and manure sower.
 No. 28652.—E. Bristow, boot-sole, &c., wearing-surface.
 No. 28655.—P. and D. Duncan, Limited, vehicle-wheel. (J. Keir.)
 No. 28656.—E. F. J. Peacocks and J. Treloar, milking-machine.

Applications for Letters Patent void.

APPPLICATIONS for Letters Patent, with which complete specifications have been lodged, void owing to non-acceptance of such complete specifications, from the 18th to the 31st August, 1911, inclusive:—
 No. 27788.—J. Macpherson, acetylene-generator.
 No. 27791.—H. V. Wallace and R. S. Wardrop, wall plaster.

Applications for Letters Patent lapsed.

APPPLICATIONS for Letters Patent lapsed, owing to Letters Patent not being sealed, from the 18th to the 31st August, 1911, inclusive:—
 No. 27152.—J. Stewart, fowl-feed box.
 No. 27336.—S. Anderson, boot-upper.
 No. 27338.—R. McGaffin, flax-catcher.
 No. 27345.—C. N. Hodder and N. Clegg, advertising-device.
 No. 27353.—P. H. Fergusson, wire-strainer.
 No. 27365.—E. Hoiland, internal-combustion engine.

Letters Patent void.

LIST of Letters Patent void through non-payment of renewal fees, and through expiry of term of fourteen years, from the 18th to the 31st August, 1911, inclusive:—
 No. 22509.—R. O. Clark, earthenware pipe.
 No. 22855.—B. E. Colson, hat fastener.
 No. 22867.—G. P. Jenkins, storing cold.
 No. 22870.—W. P. West and A. Rodger, butter-fat computer.
 No. 22874.—F. Russell, gate.
 No. 22875.—J. Neren and Rhedin, Goldkubl, and Co., sash-balance.
 No. 22878.—F. L. Fortescue, tire-end connector.
 No. 22883.—J. P. Lynn, stamp-battery.
 No. 22884.—G. W. Hopkins, acetylene blowpipe.
 No. 22887.—C. Chambers, jun., dough-mixer.
 No. 22888.—C. Chambers, jun., dough-mixing process.
 No. 22899.—M. P. Coffey, drawing off beer, &c.
 No. 22902.—G. E. Smith, rubber overshoe, &c.
 No. 22909.—M. Donaldson and W. G. Williams, total-izator.
 No. 22912.—T. Robson, bench-stop.
 No. 22914.—J. B. MacEwan and Co., Limited, cream-vat, &c. (T. Humble.)
 No. 22916.—J. Budge and W. Booth, butter-cutter.
 No. 22921.—O. G. Diefendorf, brick-machine.
 No. 22922.—W. Foord, milk, &c., cooler.
 No. 22925.—T. P. Kowtunoff, excavator.
 No. 22927.—Manufacturers' Machine Company, sole-rounding machine. (J. J. Heys.)
 No. 22932.—Q. Marino and E. W. Barton-Wright, agglutinant for electric accumulator.
 No. 24094.—D. R. Dossetor, billiard-playing structure.

THROUGH NON-PAYMENT OF THIRD-TERM FEES.

No. 17945.—G. J. Cartwright, smoke-consumer, &c.
 No. 17947.—British Westinghouse Electric and Manufacturing Company, Limited, mixing-valve. (J. P. Campbell—L. A. Merkt.)
 No. 17978.—J. T. Hunter, pan-cover securing. (J. W. and S. Hardley.)

THROUGH EXPIRY OF TERM.

Nil.

Designs registered.

DESIGNS have been registered in the following names on the dates mentioned:—

- No. 562.—Scott Bros., Limited, of Christchurch, N.Z. Class 1. 12th August.
No. 563.—George Edward Collins, of Excelsior Woodware, Dickens Street, Napier, N.Z., Furniture-manufacturer. Class 3. 25th August.

Designs expired.

THE copyright in the following designs has expired:—

- No. 297.—H. W. Lloyd. Class 2.
No. 298.—R. Thompson. Class 5.

Applications for Trade Marks filed.

LIST of applications for registration of Trade Marks filed from the 18th to the 31st August, 1911, inclusive:—

- No. 9846.—17th August.—W. J. Martin, Martinborough, N.Z. Class 4.
No. 9847.—18th August.—H. G. Clarke and Co., Auckland, N.Z. Class 42.
No. 9848.—18th August.—W. H. Jakins, Christchurch, N.Z. Class 42.
No. 9849.—18th August.—J. Nathan and Co., Limited, Wellington, N.Z. Class 42.
No. 9850.—19th August.—J. C. Datson and W. Messana, "Messana and Co.," Hamilton, N.Z. Class 48.
No. 9851.—19th August.—Mackerras and Hazlett, Limited, Dunedin, N.Z. Class 42.
No. 9852.—21st August.—G. L. Denniston, Dunedin, N.Z. Class 42.
No. 9853.—21st August.—W. H. Gibson, Wanganui, N.Z. Class 2.
Nos. 9854 and 9855.—23rd August.—Star Tea Company, Wellington, N.Z. Class 42.
No. 9856.—23rd August.—Tyneside Proprietary, Limited, Wellington, N.Z. Class 16.
No. 9857.—23rd August.—Vacuum Oil Company Proprietary, Limited, Melbourne, Victoria, and elsewhere.
Nos. 9858, 9859, and 9860.—24th August.—Daimler Motoren, Gesellschaft, Stuttgart, Ger. Classes 6, 22, and 13.
No. 9861.—24th August.—B. F. Goodrich Company, Akron, U.S.A. Class 40.
No. 9862.—25th August.—Wallace, Scott, and Co., Limited, Glasgow, Scot. Class 34.
No. 9863.—25th August.—A. J. Parker, Auckland, N.Z. Class 4.
Nos. 9864 and 9865.—25th August.—Sargood, Son, and Ewen, Limited, Dunedin and elsewhere, N.Z. Class 38.
No. 9866.—26th August.—Laidlaw Leeds, Auckland, N.Z. Class 42.
No. 9867.—26th August.—Marshall's Proprietary Company, Limited, Dunedin, N.Z. Class 50.
Nos. 9868, 9869, and 9870.—26th August.—Barracough Herbal Proprietary, Welling on, N.Z. Class 3.
No. 9871.—28th August.—J. D. Roberts, Auckland, N.Z. Class 8.
No. 9872.—28th August.—Turner and Co., Wanganui, N.Z. Class 22.
No. 9873.—28th August.—Mackerras and Hazlett, Limited, Dunedin, N.Z. Class 42.
No. 9874.—28th August.—J. Paterson, Auckland, N.Z. Class 3.
No. 9875.—29th August.—Bond and Bell, Auckland, N.Z. Class 47.
No. 9876.—29th August.—A. F. Toomer, Christchurch, N.Z. Class 38.
Nos. 9877 and 9878.—29th August.—Lever Brothers, Limited, Balmain, N.S.W. Classes 47 and 48.
No. 9879.—29th August.—Glyco Metal Company, Limited, Manchester, Eng. Class 5.
No. 9880.—29th August.—Bell's United Asbestos Company, Limited, London, Eng. Class 17.
No. 9881.—30th August.—L. W. A. Macarthur, Auckland, N.Z. Class 3.
No. 9882.—30th August.—"Max" Milking Machine Company, Limited, Copenhagen, Den. Class 7.
No. 9883.—30th August.—Office Appliance Company, Wellington, N.Z. Class 39.
No. 9884.—31st August.—M. U. Dennison, Dunedin, N.Z. Class 38.
No. 9885.—31st August.—H. L. Young, "Householders' Co-operative Supply," Dunedin. Class 42.
Nos. 9886 and 9887.—31st August.—Zymole Company (Inc.), New York, U.S.A. Classes 3 and 48.
Nos. 9888 and 9889.—31st August.—W. and A. Gilbey, Limited, London, Eng. Class 43.
No. 9890.—31st August.—Oakland Motor Car Company, Pontiac, U.S.A. Class 22.

Applications for Registration of Trade Marks.

Patent Office,
Wellington, 31st August, 1911.

APPLICATIONS for registration of the following Trade Marks have been received. Notice of opposition to the registration of any of these applications may be lodged at this office within two months of the date of this *Gazette*. Such notice must be in duplicate, and accompanied by a fee of £1.

No. of application: 9226.
Date: 9th December, 1910.

TRADE MARK.

The words

BELL BRAND.

The essential particular of this trade mark is the word "Bell"; and any right to the exclusive use of the word "Brand" is disclaimed.

NAME.

THE NATIONAL MUSICAL STRING COMPANY, a corporation organized under the laws of the State of New Jersey, of Georges Road, near the Raritan River Railroad Station, New Brunswick, County of Middlesex, State of New Jersey, United States of America, Manufacturers.

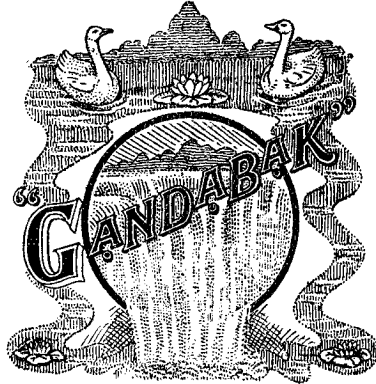
No. of class: 9.

Description of goods: Harmonicas (*i.e.*, mouth-organs) and strings for musical instruments.

(By consent.)

No. of application: 9465.
Date: 14th March, 1911.

TRADE MARK.



NAME.

WALLACE, SCOTT, AND CO., LIMITED, of 27 Cadogan Street, Glasgow, Scotland, Woollen-warehousemen.

No. of class: 34.

Description of goods: Cloths and stuffs of wool, worsted, or hair.

No. of application: 9470.
Date: 14th March, 1911.

TRADE MARK.

The word

THISTLEDOWN.

NAME.

WALLACE, SCOTT, AND CO., LIMITED, of 27 Cadogan Street, Glasgow, Scotland, Woollen-warehousemen.

No. of class: 34.

Description of goods: Cloths and stuffs of wool, worsted, or hair.

No. of application: 9546.
Date: 10th April, 1911.

TRADE MARK.

The word

CO-COOLA.

The essential particular of this trade mark is the invented word "Co-Coola."

NAME.

JAMES NEIL, LIMITED, of 108 George Street, Dunedin, in the Dominion of New Zealand.

No. of class: 43.

Description of goods: Fermented liquors and spirits.

No. of application: 9717.
Date: 17th June, 1911.

TRADE MARK.



The essential particular of this trade mark is the distinctive label.

NAME.

HAL GOODACRE, of New Plymouth, in the Dominion of New Zealand.

No. of class: 50.

Description of goods: A waterproofing dressing and renovator for boots and shoes.

No. of application: 9778.
Date: 17th July, 1911.

TRADE MARK.

The word

LIXEM.

The essential particular of this trade mark is the word "Lixem."

NAME.

GEORGE NEICH, of Clareville, Carterton, in the Dominion of New Zealand.

No. of class: 2.

Description of goods: A liniment for veterinary and medical purposes included in that class.

No. of application: 9790.
Date: 25th July, 1911.

TRADE MARK.



The essential particular of this trade mark is the distinctive mark or brand; and applicants disclaim all right to the exclusive use of the added matter except their name and address.

NAME.

CHALMERS MOTOR COMPANY, a corporation duly organized and existing under and by virtue of the laws of the State of Michigan, and having its principal office and place of business located at the corner of Jefferson Avenue and the New Belt Line, in the City of Detroit, County of Wayne, State of Michigan, United States of America, Automobile-manufacturers.

No. of class: 22.

Description of goods: Automobiles and motor-cars.

No. of application: 9797.
Date: 27th July, 1911.

TRADE MARK.

HAHN'S
CORSETS

The essential particular of this trade mark is the following—the name "Hahn's" printed in the particular and distinctive manner shown; and any right to the exclusive use of the added matter is disclaimed.

NAME.

MAXMILLIAN MAURICE HAHN, of No. 17 Clevedon Mansions, Highgate Road, N.W., London, England, Corset-manufacturer, trading as "M. M. Hahn."

No. of class: 38.

Description of goods: Corsets.

No. of application: 9798.
Date: 27th July, 1911.

TRADE MARK.



The essential particular of the trade mark is the following—the distinctive mark or brand; and any right to the exclusive use of the added matter is disclaimed.

NAME.

MAXMILLIAN MAURICE HAHN, of No. 17 Clevedon Mansions, Highgate Road, N.W., London, England, Corset-manufacturer, trading as "M. M. Hahn."

No. of class: 38.

Description of goods: Corsets.

No. of application: 9799.
Date: 27th July, 1911.

TRADE MARK.



The essential particular of the trade mark is the following—the distinctive mark or brand; and any right to the exclusive use of the added matter is disclaimed.

NAME.

MAXMILLIAN MAURICE HAHN, of No. 17 Clevedon Mansions, Highgate Road, N.W., London, England, Corset-manufacturer, trading as "M. M. Hahn."

No. of class: 38.

Description of goods: Corsets.

No. of application: 9808.
Date: 4th August, 1911.

TRADE MARK.

The word

AMICO.

The essential particular of this trade mark is the word "Amico."

NAME.

THE AUSTRALIAN MANUFACTURING AND IMPORTING COMPANY, LIMITED, of 108 Pitt Street, Sydney, in the Commonwealth of Australia.

No. of class: 18.

Description of goods: Mantles for incandescent lighting.

No. of application: 9810.
Date: 8th August, 1911.

TRADE MARK.



INDIANOLA.

The essential particulars of this trade mark are—an Indian's head in profile and the word "Indianola."

NAME.

OSBORNE SOUTHWOOD HOYLE WALL, of 15 Ormond Road, Gisborne, in the Dominion of New Zealand, trading under the name of "The Indianola Proprietary Company," Ointment-vendor.

No. of class: 3.

Description of goods: A herbal ointment.

No. of application: 9814.
Date: 8th August, 1911.

TRADE MARK.



The essential particular of this trade mark is the distinctive label.

NAME.

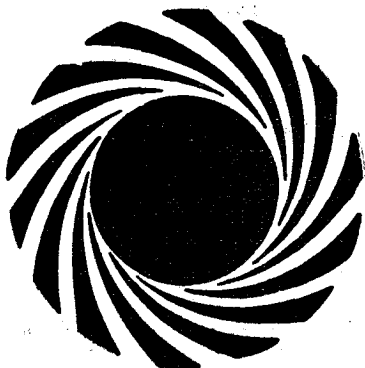
LEVER BROTHERS, LIMITED, of Balmain, State of New South Wales, Commonwealth of Australia, Manufacturers.

No. of class: 47.

Description of goods: Candles.

No. of application: 9817.
Date: 9th August, 1911.

TRADE MARK.



NAME.

PACIFIC MILLS, a corporation of Massachusetts, of 70 Kilby Street, Boston, Massachusetts, United States of America.

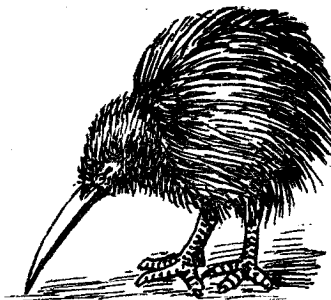
No. of class: 24.

Description of goods: Cotton piece-goods.

No. of application: 9820.
Date: 10th August, 1911.

TRADE MARK.

KIWI.



"DOMINION" GAS-METERS.

The essential particular of this trade mark is the device of a "Kiwi"; and any right to the exclusive use of the added matter is disclaimed.

NAME.

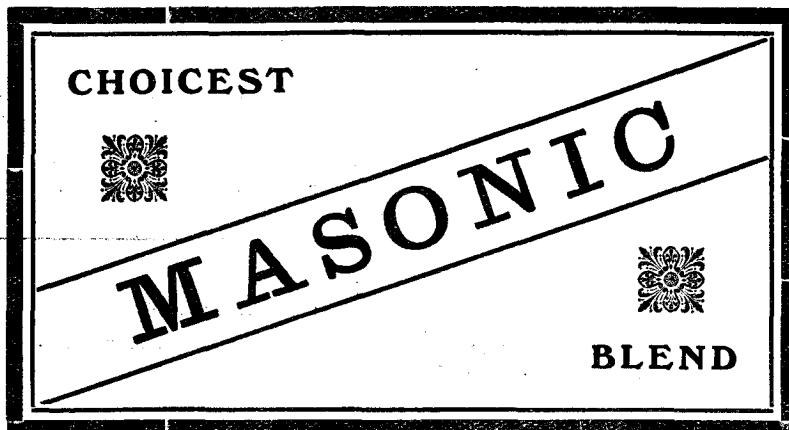
ALDER AND MACKAY, of Edinburgh, Scotland, and 32-42 Lower Taranaki Street, Wellington, in the Dominion of New Zealand, Gas-meter Manufacturers.

No. of class: 8.

Description of goods: Gas-meters.

No. of application: 9822.
Date: 11th August, 1911.

TRADE MARK.



The applicants claim that the said trade mark has been used by them and their predecessors in business in respect of the article mentioned for the last thirty years.

The essential particular of this trade mark is the word "Masonic."

NAME.

NEAL AND CLOSE, LIMITED, a private company duly incorporated and having its registered office and carrying on business at Napier, Hawke's Bay, in the Dominion of New Zealand.

No. of class: 42.

Description of goods: Tea.

No. of application: 9823.
Date: 14th August, 1911.

TRADE MARK.



NAME.

MURRAYS LIMITED, of Invercargill, in the Dominion of New Zealand, Milk-condensers.

No. of class: 42.
Description of goods: Butter, cheese, preserved milk, and all dairy-produce.

No. of application: 9833.
Date: 15th August, 1911.

TRADE MARK.

WATERMAN'S IDEAL FOUNTAIN PEN N.Y.

The applicants claim that the said trade mark has been used by them in respect of the articles mentioned from prior to the 29th May, 1885.

NAME.

L. E. WATERMAN COMPANY, a corporation organized under the laws of the State of New York, having its principal place of business at 173 Broadway, New York City, New York, United States of America.

No. of class: 39.
Description of goods: Fountain pens.

No. of application: 9834.
Date: 15th August, 1911.

TRADE MARK.

"HOMOCEA"

INSTANTLY
TOUCHES
THE
SPOT



The essential particulars of this trade mark are the device and the word "Homocea"; and any right to the exclusive use of the added matter is disclaimed.

NAME.

HOMOCEA LIMITED, of 4 and 5 Scrubb's Lane, Willesden Junction, London, England, Proprietary Article Manufacturers.

No. of class: 3.
Description of goods: Chemical substances prepared for use in medicine and pharmacy.

No. of application: 9845.
Date: 17th August, 1911.

TRADE MARK.



The essential particulars of this trade mark are, the word "Medico" and the device of a cross; and any right to the exclusive use of the added matter is disclaimed.

NAME.

WILLIAM GEORGE DUDFIELD, of 112 Canterbury Road, Middle Park, Melbourne, in the Commonwealth of Australia, Manufacturers' Agent.

No. of class: 35.
Description of goods: Blankets.

No. of application: 9852.
Date: 21st August, 1911.

TRADE MARK.

The word

DARALAPATA.

The essential particular of this trade mark is the word "Daralapata."

NAME.

GEORGE LYON DENNISTON, of 82 Bond Street, Dunedin, in the Dominion of New Zealand, Merchant.

No. of class: 42.
Description of goods: Teas.

No. of application: 9856.
Date: 23rd August, 1911.

TRADE MARK.

The word

BRUNNER.

The applicants claim that the said trade mark has been used by them and their predecessors in business in respect of the articles mentioned from the year 1874.

NAME.

THE TYNESIDE PROPRIETARY, LIMITED, of Wellington, in the Dominion of New Zealand, Colliery-owners.

No. of class: 16.
Description of goods: Firebricks, tiles, and other goods manufactured from fireclay at the Brunner Mine, near Greymouth.

No. of application: 9858.
Date: 24th August, 1911.

TRADE MARK.

MERCEDES

NAME.

DAIMLER MOTOREN GESELLSCHAFT, a corporation duly organized under the laws of the German Empire, of Untertürkheim, near Stuttgart, Germany, Manufacturers.

No. of class: 6.
Description of goods: Machinery of all kinds included in this class, and parts of machinery included in this class.

No. of application : 9859.
Date : 24th August, 1911.

TRADE MARK.

MERCEDES

NAME.

DAIMLER MOTOREN GESELLSCHAFT, a corporation duly organized under the laws of the German Empire, of Untertürkheim, near Stuttgart, Germany, Manufacturers.

No. of class : 22.

Description of goods : Carriages of all kinds, including motor-cars, motor-cycles, ships, air-ships, aeroplanes, included in this class.

No. of application : 9860.
Date : 24th August, 1911.

TRADE MARK.

MERCEDES

NAME.

DAIMLER MOTOREN GESELLSCHAFT, a corporation duly organized under the laws of the German Empire, of Untertürkheim, near Stuttgart, Germany, Manufacturers.

No. of class : 13.

Description of goods : Metal goods not included in other classes.

No. of application : 9862.
Date : 25th August, 1911.

TRADE MARK.

The word

GANDABAK.

NAME.

WALLACE, SCOTT, AND CO., LIMITED, of 27 Cadogan Street, Glasgow, Scotland, Woollen-warehousemen.

No. of class : 34.

Description of goods : Cloths and stuffs of wool, worsted, or hair.

No. of application : 9864.
Date : 25th August, 1911.

TRADE MARK.

The word

TERRORLETTE.

NAME.

SARGOOD, SON, AND EWEN, LIMITED, of Dunedin, in the Provincial District of Otago, and elsewhere in the Dominion of New Zealand, Warehousemen.

No. of class : 38.

Description of goods : Boots.

No. of application : 9865.
Date : 25th August, 1911.

TRADE MARK.

The word

CADET.

NAME.

SARGOOD, SON, AND EWEN, LIMITED, of Dunedin, in the Provincial District of Otago, and elsewhere in the Dominion of New Zealand, Warehousemen.

No. of class : 38.
Description of goods : Boots.

No. of application : 9872.
Date : 25th August, 1911.

TRADE MARK.

The word

CORONA.

The essential particular of this trade mark is the word "Corona."

NAME.

TURNER AND Co., of 14 Maria Place, Wanganui, in the Dominion of New Zealand, Cycle and Motor Traders.

No. of class : 22.
Description of goods : Bicycles (push or motor).

No. of application : 9873.
Date : 28th August, 1911.

TRADE MARK.

The word

CADDY.

The essential particular of this trade mark is the word "Caddy."

NAME.

MACKERRAS AND HAZLETT, LIMITED, of 43 Crawford Street, Dunedin, in the Dominion of New Zealand, Merchants and Importers.

No. of class : 42.
Description of goods : Tea and other goods included in Class 42.

No. of application : 9875.
Date : 29th August, 1911.

TRADE MARK.



The essential particular of this trade mark is the word "Demon" in conjunction with the device; and any right to the exclusive use of the added matter is disclaimed.

NAME.

BOND AND BELL, of Commerce Street, Auckland, in the Dominion of New Zealand, Merchants.

No. of class : 47.
Description of goods : Soaps and washing-powders.

No. of application : 9876.
Date : 29th August, 1911.

TRADE MARK.

The words

MINER'S RIGHT.

NAME.

ALBERT FREDERICK TOOMER, of Christchurch, in the Dominion of New Zealand, Boot-manufacturer.

No. of class : 38.
Description of goods : Boots and shoes.

No. of application: 9877.
Date: 29th August, 1911.

TRADE MARK.



The essential particulars of this trade mark are the combination of devices; and any right to the exclusive use of the added matter, except the name "Lever," is disclaimed.

NAME.

LEVER BROTHERS, LIMITED, of Balmain, State of New South Wales, Commonwealth of Australia, Manufacturers.

No. of class: 47.

Description of goods: Common soap, soap-powders, and detergents.

No. of application: 9879.
Date: 29th August, 1911.

TRADE MARK.

The word

GLYCO.

NAME.

GLYCO METAL COMPANY, LIMITED, of 8 and 9 South Parade, Manchester, England, Metal-merchants.

No. of class: 5.

Description of goods: Metals used in manufactures.

No. of application: 9880.
Date: 29th August, 1911.

TRADE MARK.

The word

POILITE.

NAME.

BELL'S UNITED ASBESTOS COMPANY, LIMITED, of 59½ South-wark Street, London, England, Asbestos-manufacturers.

No. of class: 17.

Description of goods: Asbestos roofing-tiles and asbestos wall-lining sheets.

No. of application: 9881.
Date: 30th August, 1911.

TRADE MARK.

The word

METAPATHIC.

The essential particular of this trade mark is the invented word "Metapathic."

NAME.

LESLIE WILLIAM ALEXANDER MACARTHUR, of 144 Hobson Street, Auckland, in the Dominion of New Zealand, Medical Electro-galvanist.

No. of class: 3.

Description of goods: Tonic and health diet.

No. of application: 9885.
Date: 31st August, 1911.

TRADE MARK.

The word

TIKI.

NAME.

HERBERT LLOYD YOUNG, trading as "The Householders' Co-operative Supply," of 24 Manse Street, Dunedin, in the Dominion of New Zealand.

No. of class: 42.

Description of goods: Tea, coffee, and cocoa.

No. of application: 9887.
Date: 31st August, 1911.

TRADE MARK.

The word

ZYMOLE.

NAME.

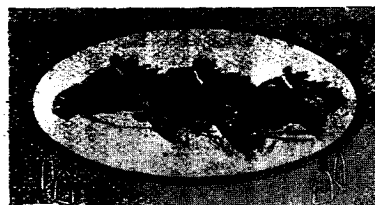
THE ZYMOLE COMPANY (INC.), of New York, in the United States of America, Distributors.

No. of class: 48.

Description of goods: Perfumery, including toilet articles, preparations for the teeth and hair, and perfumed soap.

No. of application: 9889.
Date: 31st August, 1911.

TRADE MARK.



NAME.

W. AND A. GILBEY, LIMITED, whose registered office is at The Pantheon, Oxford Street, in the County of Middlesex, England.

No. of class: 43.

Description of goods: Whisky.

J. C. LEWIS,
Registrar.

Trade Marks registered.

LIST of Trade Marks registered from the 18th to the 31st August, 1911, inclusive:—

Nos. 7637/9021 and 7638/9023.—Wilkinson, Heywood, and Clark, Limited. Class 47. (*Gazette* No. 46, of the 1st June.)

Nos. 7639/9336, 7640/9337, and 7641/9338.—Chappell, Allen, and Co., Limited. Class 38. (*Gazette* No. 46, of the 1st June.)

No. 7642/9355.—C. Kullman et Cie. Class 38. (*Gazette* No. 46, of the 1st June.)

Nos. 7643/9421 and 7644/9423.—Needham, Veall, and Tyzaak, Limited. Class 12. (*Gazette* No. 46, of the 1st June.)

No. 7645/9620.—P. M. Cohen. Class 38. (*Gazette* No. 46, of the 1st June.)

No. 7646/9624.—Mackenzie, Grant, and Co. Class 43. (*Gazette* No. 46, of the 1st June.)

No. 7647/9635.—D. and W. Gibbs, Limited. Class 48. (*Gazette* No. 46, of the 1st June.)

No. 7648/9644.—A. Constantine. Class 11. (*Gazette* No. 46, of the 1st June.)

No. 7649/9479.—Spencer Vincent. Class 48. (*Gazette* No. 28, of the 6th April.)

No. 7650/9501.—Spencer Vincent. Class 3. (*Gazette* No. 33, of the 20th April.)

No. 7651/9579.—G. W. Clayton. Class 38. (*Gazette* No. 50, of the 15th June.)

No. 7652/9661.—Montgomerie, Stobo, and Co., Limited. Class 47. (*Gazette* No. 50, of the 15th June.)

No. 7653/9396.—Chambers Bros. Class 4. (*Gazette* No. 18, of the 9th March.)

Nos. 7654/9692 and 7655/9693.—Gollin and Co. Proprietary, Limited. Class 42. (*Gazette* No. 50, of the 15th June.)

No. 7656/9702.—Ellis and Manton. Class 47. (*Gazette* No. 50, of the 15th June.)

Nos. 7657/9422 and 7658/9424.—Needham, Veall, and Tyzaak, Limited. Class 14. (*Gazette* No. 50, of the 15th June.)

No. 7659/9658.—"Laxette" Manufacturing Company. Class 3. (*Gazette* No. 50, of the 15th June.)

No. 7660/9618.—A. J. Wickes. Class 42. (*Gazette* No. 50, of the 15th June.)

No. 7661/9651.—J. Brinsmead. Class 3. (*Gazette* No. 50, of the 15th June.)

Nos. 7662/9652, 7663/9653, 7664/9654, and 7665/9655.—Hamilton and Co. (London), Limited. Class 50. (*Gazette* No. 50, of the 15th June.)

Nos. 7666/9656 and 7667/9657.—Stevenson and Howell, Limited. Classes 42 and 44. (*Gazette* No. 50, of the 15th June.)

No. 7668/9658.—Humphrey, Taylor, and Co., Limited. Class 43. (*Gazette* No. 50, of the 15th June.)

No. 7669/9684.—Westminster Tobacco Company, Limited. Class 45. (*Gazette* No. 50, of the 15th June.)

Nos. 7670/9646 and 7671/9647.—G. and J. Zair. Class 37. (*Gazette* No. 50, of the 15th June.)

No. 7672/8958.—F. C. Thomas. Class 3. (*Gazette* No. 83, of the 8th September, 1910.)

No. 7673/9689.—Perks, Dane, and Co. Proprietary, Limited. Class 47. (*Gazette* No. 46, of the 1st June.)

No. 7674/9458.—Langguth and Co. Class 42. (*Gazette* No. 50, of the 15th June.)

Nos. 7675/9668 and 7676/9669.—The W. H. Comstock Company, Limited. Class 3. (*Gazette* No. 50, of the 15th June.)

No. 7677/9591.—Reckitts (Over Sea), Limited. Class 42. (*Gazette* No. 50, of the 15th June.)

No. 7678/9593.—Reckitts (Over Sea), Limited. Class 50. (*Gazette* No. 42, of the 18th May.)

No. 7679/9622.—T. Wilson. Class 2. (*Gazette* No. 46, of the 1st June.)

No. 7680/9487.—Mrs. A. S. Barraclough. Class 3. (*Gazette* No. 42, of the 18th May.)

No. 7681/9189.—The Crown Perfumery Company. Class 48. (*Gazette* No. 53, of the 29th June.)

Trade Mark Renewal Fees paid.

FEES paid for the renewal of the undermentioned Trade Marks for fourteen years from the date first mentioned:—

No. 2181/1737.—15th October, 1911.—Chrystall and Co., Christchurch, N.Z. 30th August, 1911.

No. 2182/1722.—16th October, 1911.—E. C. Batkin, Wellington, N.Z. 23rd August, 1911.

No. 2188/1734.—21st October, 1911.—The New England Watch Company, Waterbury, U.S.A. (Waterbury Watch Company.) 19th August, 1911.

No. 2197/1742.—29th October, 1911.—Joshua Bros., Limited, Melbourne, Vic. 26th August, 1911.

No. 2208/1748.—11th November, 1911.—Reckitts (Over Sea) Limited, Kingston-upon-Hull, Eng. (Reckitt and Sons, Limited.) 23rd August, 1911.

Trade Marks removed from the Register.

TRADE Marks removed from the Register owing to the non-payment of the renewal fee, from the 18th to the 31st August, 1911, inclusive:—

No. 1989/1592.—19th May, 1897.—Chrystall and Co., Christchurch, N.Z. Class 42.

No. 1995/1593.—20th May, 1897.—Hoare, Miller, and Co., Calcutta, India. Class 4.

No. 1997/1698.—25th May, 1897.—Pope Manufacturing Company (Incorporated), Hartford, U.S.A. Class 22.

No. 1998/1699.—25th May, 1897.—Hartford Cycle Company (Incorporated), Hartford, U.S.A. Class 22.

Nos. 2003/1614, 2004/1615, 2005/1616, 2006/1617, 2007/1618, and 2009/1619.—31st May, 1897.—C. Cammell and Co., Limited, Sheffield, Eng. Classes 5, 6, and 12.

No. 2009/1655.—31st May, 1897.—Queensland Meat Export and Agency Company, Limited, Brisbane and Townsville, Queens. Class 42.

The first part of the document discusses the importance of maintaining accurate records of all transactions. It emphasizes that every entry should be supported by a valid receipt or invoice. This ensures transparency and allows for easy verification of the data.

Additionally, it is noted that the records should be kept up-to-date and organized in a logical manner. This helps in identifying trends and anomalies over time. The document also mentions that the records should be stored securely to prevent loss or tampering.

The second part of the document provides a detailed overview of the accounting process. It starts with the identification of the accounting period and the selection of the appropriate accounting method. The document then outlines the steps involved in recording transactions, from the initial entry to the final closing of the books.

It also discusses the importance of reconciling the accounts and ensuring that the total debits equal the total credits. This is a crucial step in the accounting cycle that helps in detecting errors and maintaining the integrity of the financial statements.

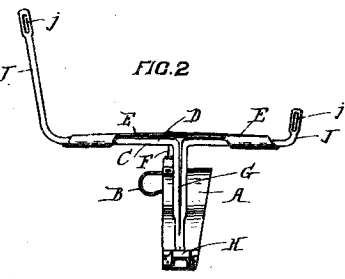
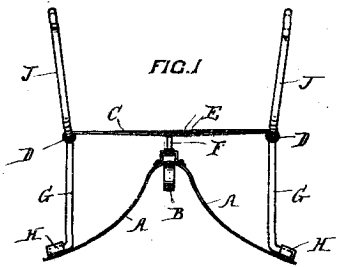
The third part of the document focuses on the preparation of financial statements. It explains how the recorded data is used to generate the balance sheet, income statement, and cash flow statement. Each statement provides a different perspective on the financial performance of the entity.

The document also highlights the need for a thorough review of the financial statements before they are presented to management or other stakeholders. This review should include a check for accuracy, completeness, and compliance with applicable accounting standards.

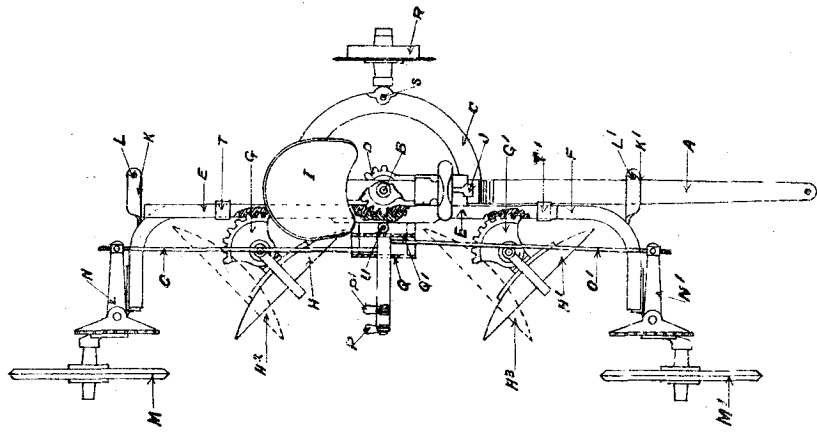
The document concludes by emphasizing the role of accurate accounting in the success of a business. It states that reliable financial information is essential for informed decision-making and for building trust with investors and creditors.

ILLUSTRATIONS OF INVENTIONS.

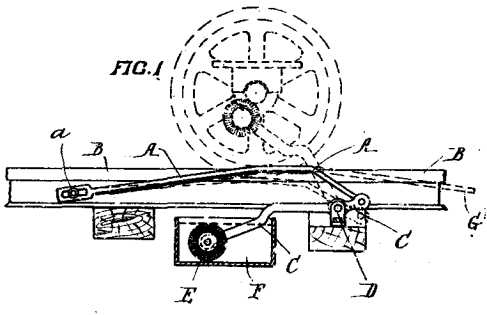
[These illustrations refer to the complete specifications accepted, and advertised in this Gazette.]



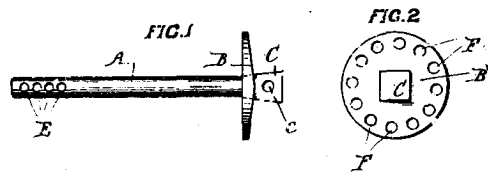
*Basket attachment to saddle.
Allan. 28443*



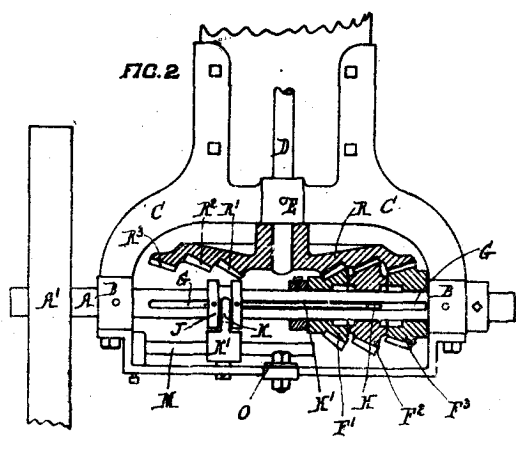
Plough. Nikolaison. 28546.



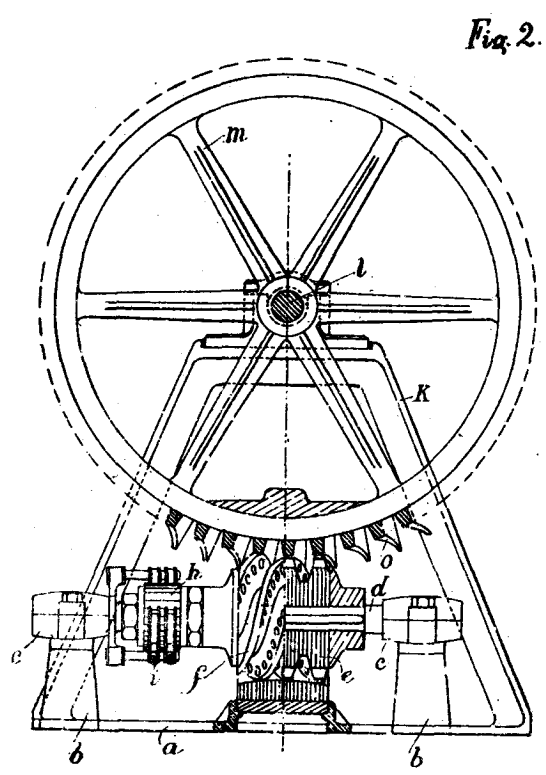
*Axle lubricator. Martin & Humphries
28587*



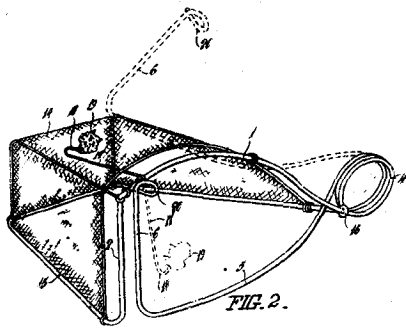
Wire strainer. Carrington. 28605.



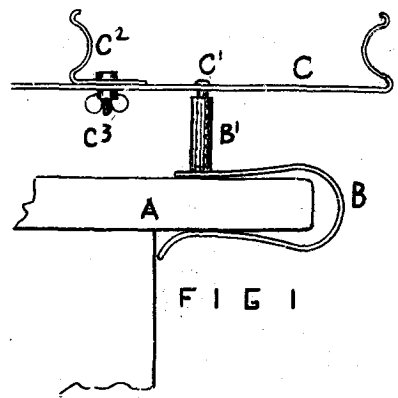
Curd agitator. Hopkirk. 28605.



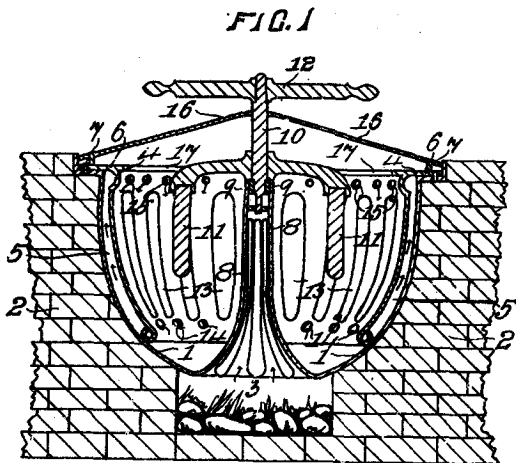
Electric motor. Leoche. 28697.



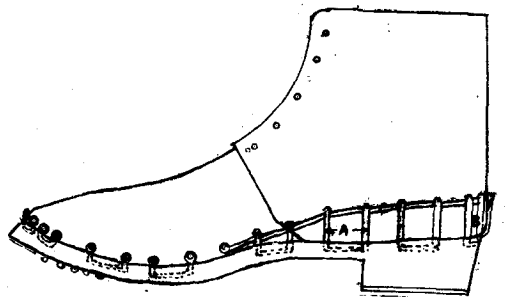
Rat trap. Ralph. 28577.



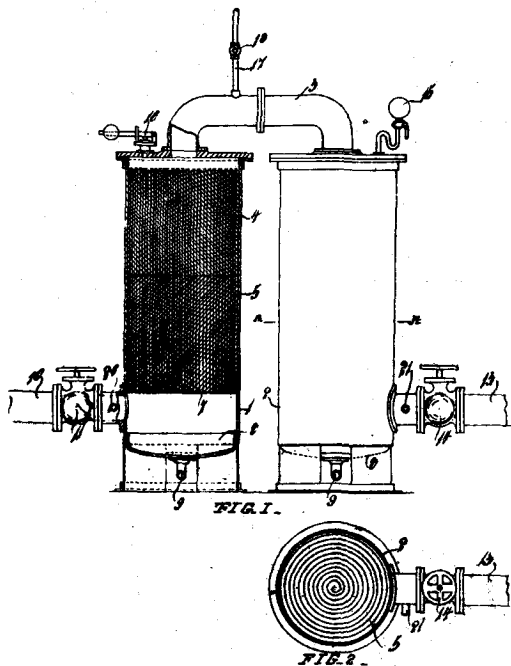
Steinwinder. Richardson. 29502.



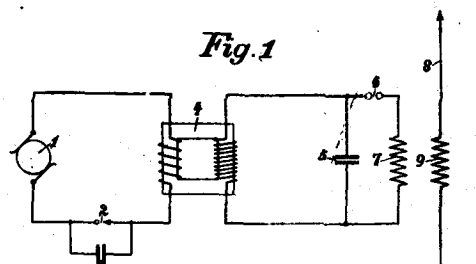
Clothes washer. Arlow 29618.



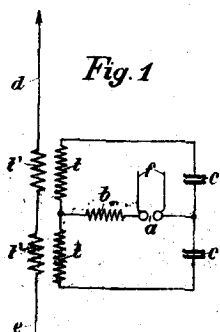
Boot frame. Grainger. 28732.



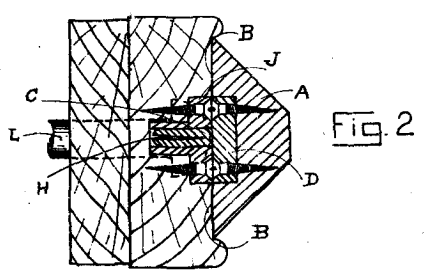
Jar extractor. Nelson. 28815.



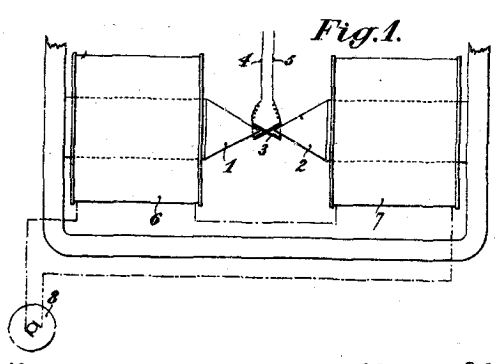
Electric oscillation producing
Gesellschaft für drahtlose Telegraphie,
m. b. H. (von Arco). 29524.



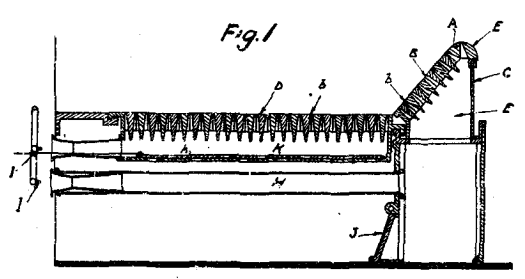
Electric oscillations producing
Gesellschaft für drahtlose Telegraphie,
m. b. H. (Mandelstam & Papalexii). 29525.



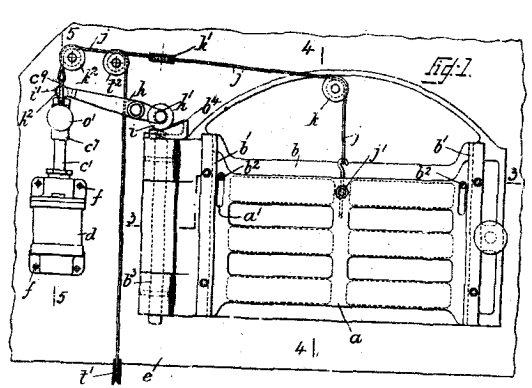
Ornamental panel securing. Simons. 29817.



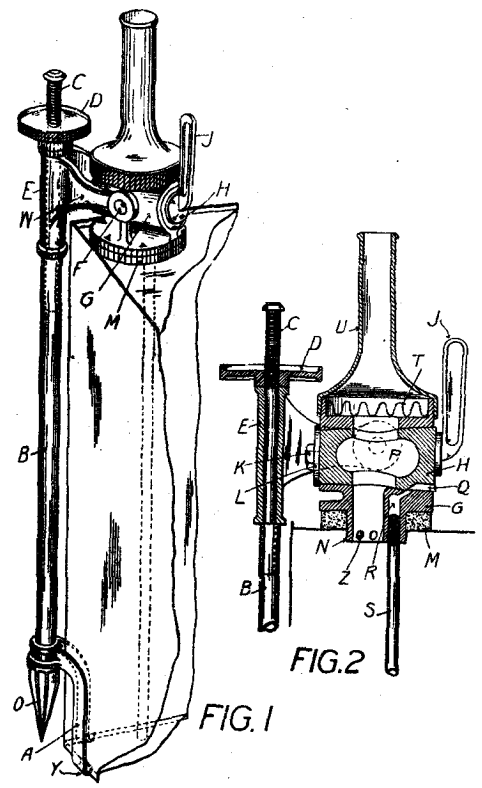
Micro-movement production. Johnson 29845.



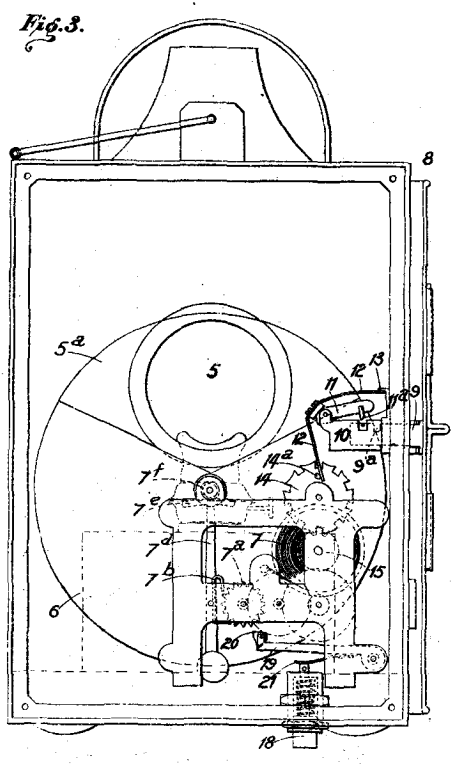
Furnace etc. Hill. 29843.



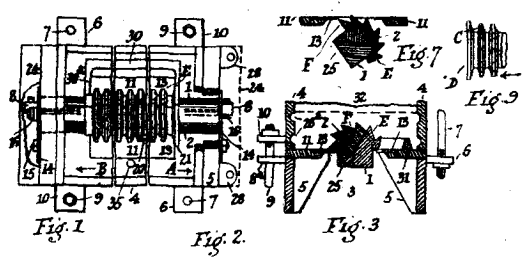
Fuel economizer etc. Thomas. 29846.



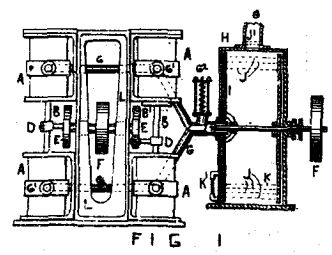
29856
Liquid discharge valve. Fitzsimons



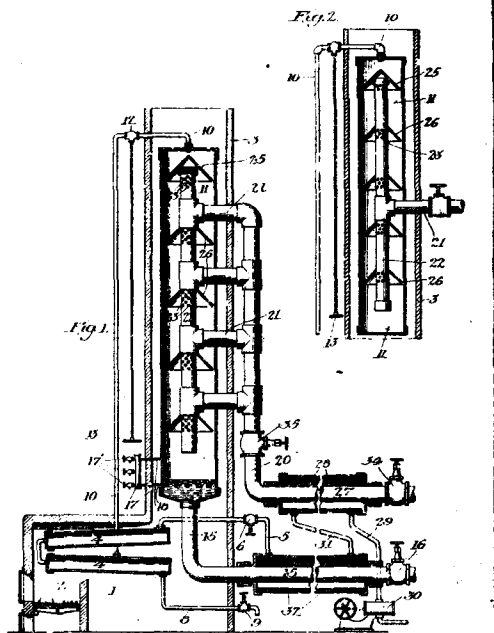
Flash-light mechanism. Boucher. 29847.



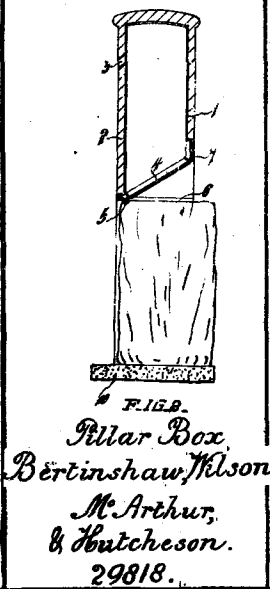
Moulding device. Beers. 29855.



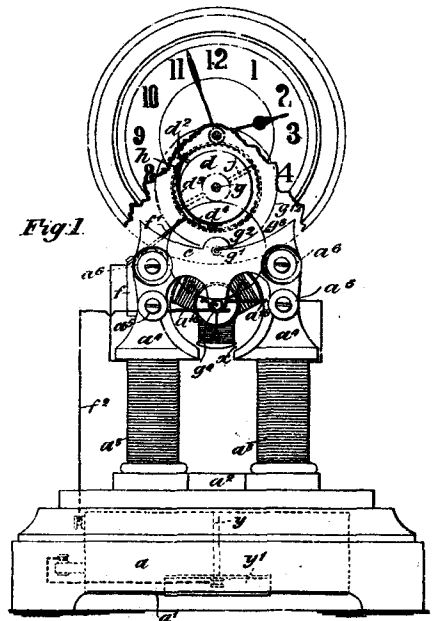
Petrol gas apparatus. Williden. 29861.



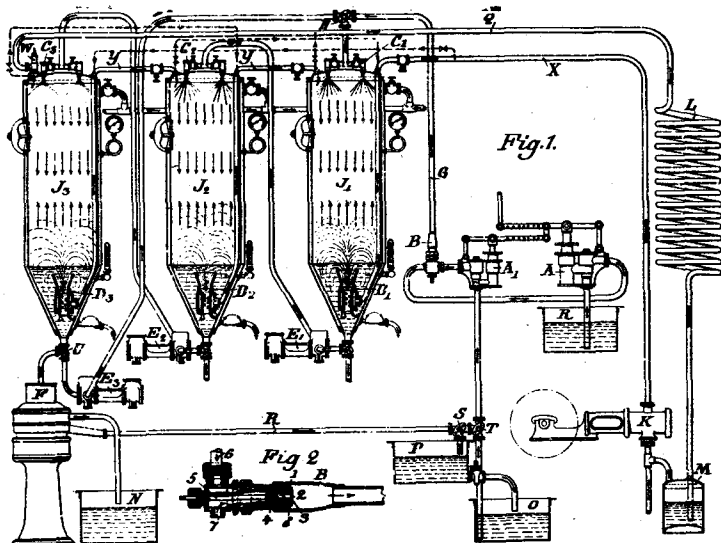
Liquid evaporation. Trumble Refining Co. (Trumble), 29868.



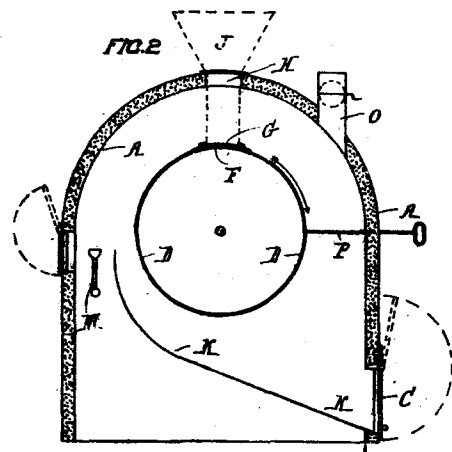
Pillar Box. Bertinshaw, Wilson. McArthur, & Hutcheson. 29818.



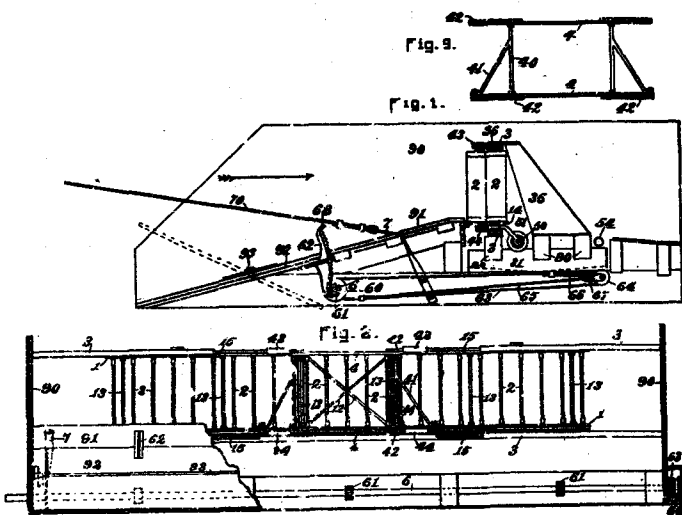
Self-winding clock. Powers & The Eureka, Block Co. Ltd. 29882.



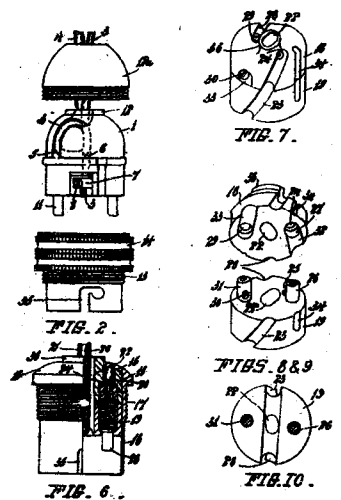
Converter. Milbuschewitsch. 29884.



Pea-nut roaster. Foulet. 28500.



Current Motor. Current Motor Co. (Barron) 29869.



Electric lamp wire connection. Croshe: 28594.